

Version	2.0	Date	9/27/21
Prepared By	JC		

PRODUCT SPECIFICATION

Category	Industrial Round Highbay
Item Number	7523
Stock Code	FX16HBR100/110/850/IP66/MV
Mounting	Pole Mount / Yoke Mount
Housing Color	Black



ELECTRICAL CHARACTERISTICS			
Rated Wattage (W)	100	Replacement Wattage (W)	-
Tested Wattage (W)	100		
Input Voltage (V)	120-277V	Surge Protect Level	10KV
Voltage Frequency (Hz)	50/60	Dimmable	0-10V
Input Current (A)	-	AUX (12V) Line	Yes
Power Factor	>0.9		
THD	<15%		

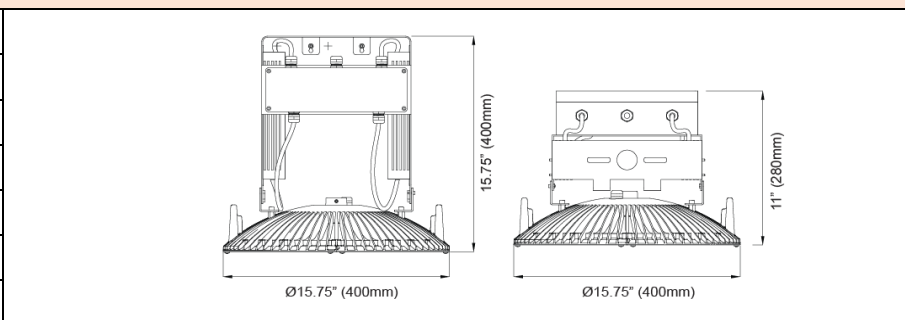
PHOTOMETRIC CHARACTERISTICS			
Lumen (lm)	17,872	CCT (K)	5000K
Efficacy (lm/w)	179	Beam Angle (°)	110°
CRI	>80		

GENERAL CHARACTERISTICS	
Operating Temperature (°F)	-22°F ~ 158° (-40°F~70°C)
Storage Temperature (°F)	-22°F ~ 158° (-40°F~70°C)
IP Rating	IP66
IK Rating	-
Rated Life (Hrs)	50,000
Warranty (Yrs)	5

ACCESSORIES		
Item #	Stock Code	Description
P10440	CVR-16HBR-80-AL	80° Aluminum Reflector
P10233	MT-PIPE075-MPT-18IN/BK	3/4" NPT Pendant Rod
P10439	MT-YK-HBR16-BK	Yoke Mount

PRODUCT DIMENSIONS

Width- in / (mm)	15.75" 400
Height- in / (mm)	11" 280
Height- in / (mm)	15.75" 400
IK Rating	-
Weight (lbs)	11.8 (driver remotely) / 20.95
Mounting Height (ft)	25~50
Cable Length (ft)	7.5



CERTIFICATIONS			
UL/ETL	cETLus	CEC	
NSF/ETL Sanitation		JA8	
Energy Star		FCC	✓
DLC	5.1 Standard	RoHs	✓

DOCUMENTS			
LM79	✓	IES File	✓
LM80	✓	Dimmer List	

COMMENTS

--